



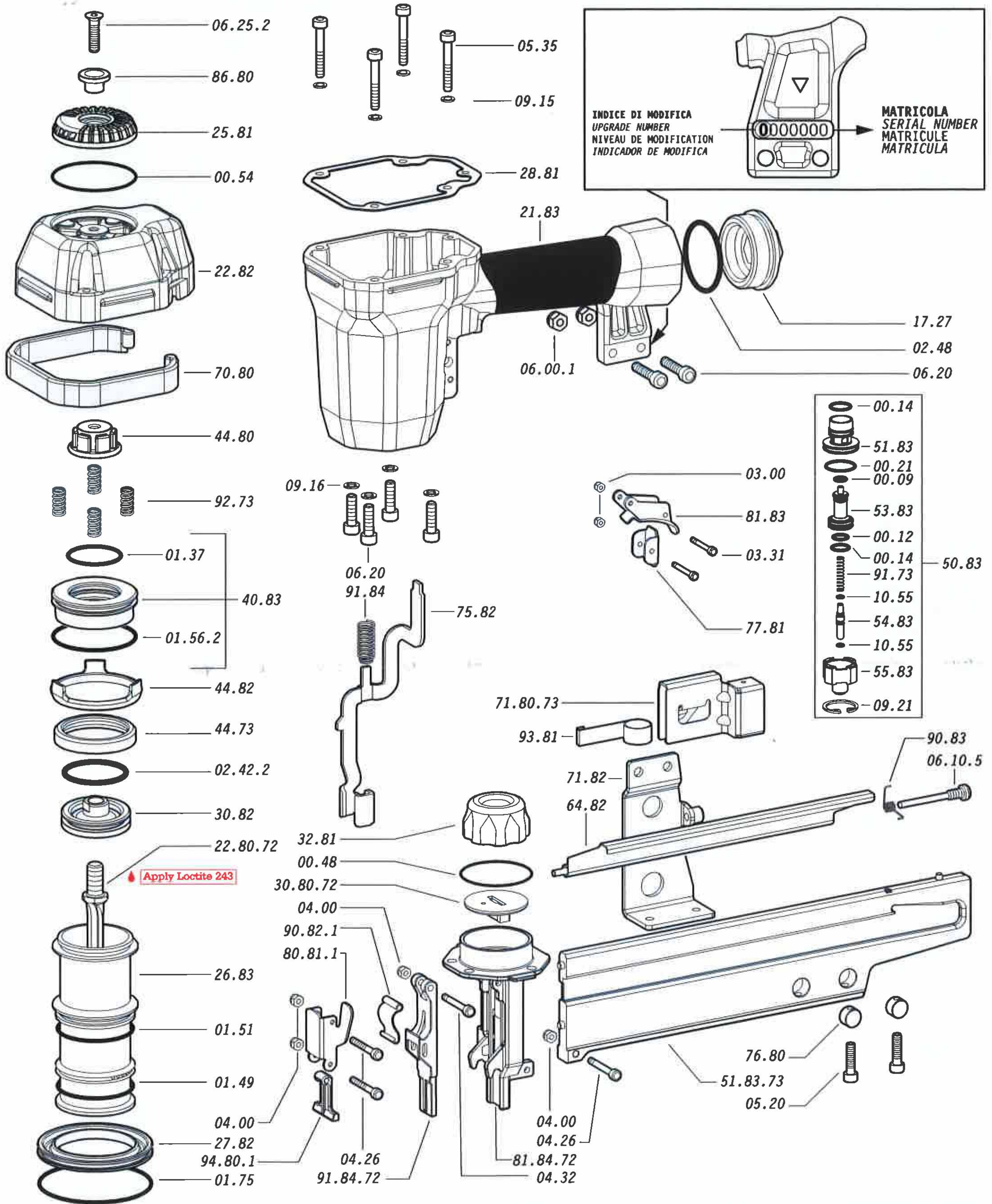
700.65

USE, MAINTENANCE & SPARE PARTS MANUAL



TECHNICAL DATA		Cod. 1848310
Usable lengths mm	20 ÷ 65	Type of Fastener 700
Magazine capacity, no. of fasteners	145	
Working pressure	5 ÷ 7.5 bar 70 ÷ 105 psi	
Air consumption litres/shot	1.40	
Weight kg	2.13	
Dimensions	355x98x290	
Sound pressure at work station EN 12549:1999 ISO 11201:1995	86.7 dB(Ä)	
Emitted sound power EN 12549:1999 ISO 3744:1994	97.9 dB(A)	
Weighted mean value of vibration on the grip EN 28662:1992 ISO 5349:1986 ISO 8662-11	<4.75 m/s ²	February 2016

SPARE PARTS



EQUIPMENT



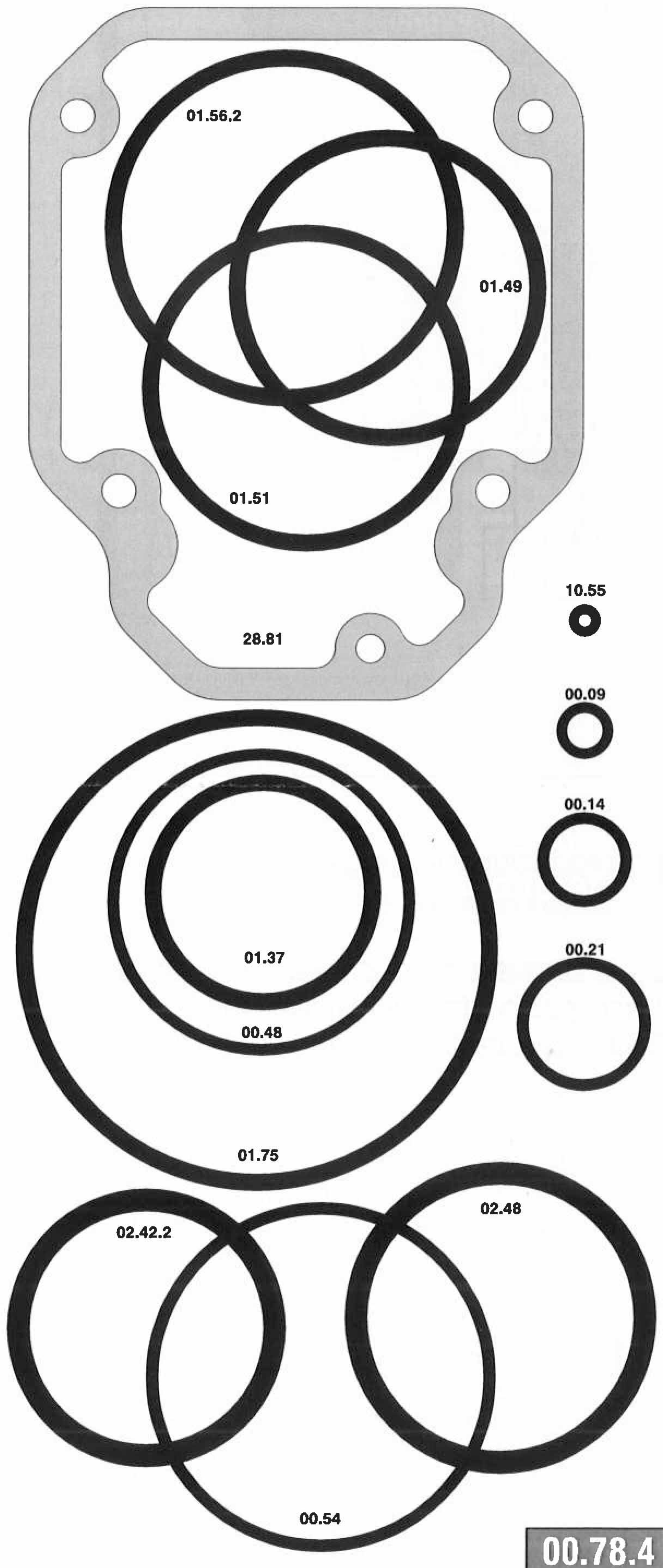
700.65

cod. 1848310

SPARE PARTS

Cod.	Description
00.09	O-Ring
00.12	O-Ring
00.14	O-Ring
00.21	O-Ring
00.48	O-Ring
00.54	O-Ring
01.37	O-Ring
01.49	O-Ring
01.51	O-Ring
01.56.2	O-Ring
01.75	O-Ring
02.42.2	O-Ring
02.48	O-Ring
03.00	Nut
03.31	Screw
04.00	Nut
04.26	Screw
04.32	Screw
05.20	Screw
05.35	Screw
06.00.1	Nut
06.10.5	Screw
06.20	Screw
06.25.2	Screw
07.25	Hex. bar wrench
07.30	Hex. bar wrench
07.40	Hex. bar wrench
07.50	Hex. bar wrench
09.15	Washer
09.16	Washer
09.21	Elastic ring
10.55	O-Ring
17.27	Inlet cap
21.83	Body
22.82	Head
25.81	Deflector
26.83	Cylinder
27.82	Cylinder ring
28.81	Head gasket
30.82	Piston
32.81	Bumper
40.83	Valve ass'y
44.73	Cylinder gasket
44.80	Bumper
44.82	Spacer
50.83	Trigger valve ass'y
51.83	Trigger valve housing
53.83	Valve piston
54.83	Trigger valve
55.83	Bush
64.82	Hold down
70.80	Guard
71.82	Support
75.82	Safety
76.80	Nut screw
77.81	Safety guide
80.81.1	Nose plate lock
81.83	Trigger
86.80	Bush
90.82.1	Spring
90.83	Spring
91.73	Spring
91.84	Spring
92.73	Spring
93.81	Spring
94.80.1	Connecting rod
22.80.72	Driver
30.80.72	Driver Guide
51.83.73	Magazine
71.80.73	Pusher
81.84.72	Nose
91.84.72	Nose plate
D01	Oiler
D02	Protective goggles

O-RINGS



300514 IV

300514 IV

700.65